



CK22

Order Picker J2-1, J2-3

Professional Solutions For:

Small Package Non-pallet Order-Picking Tasks

Applicable Industries:

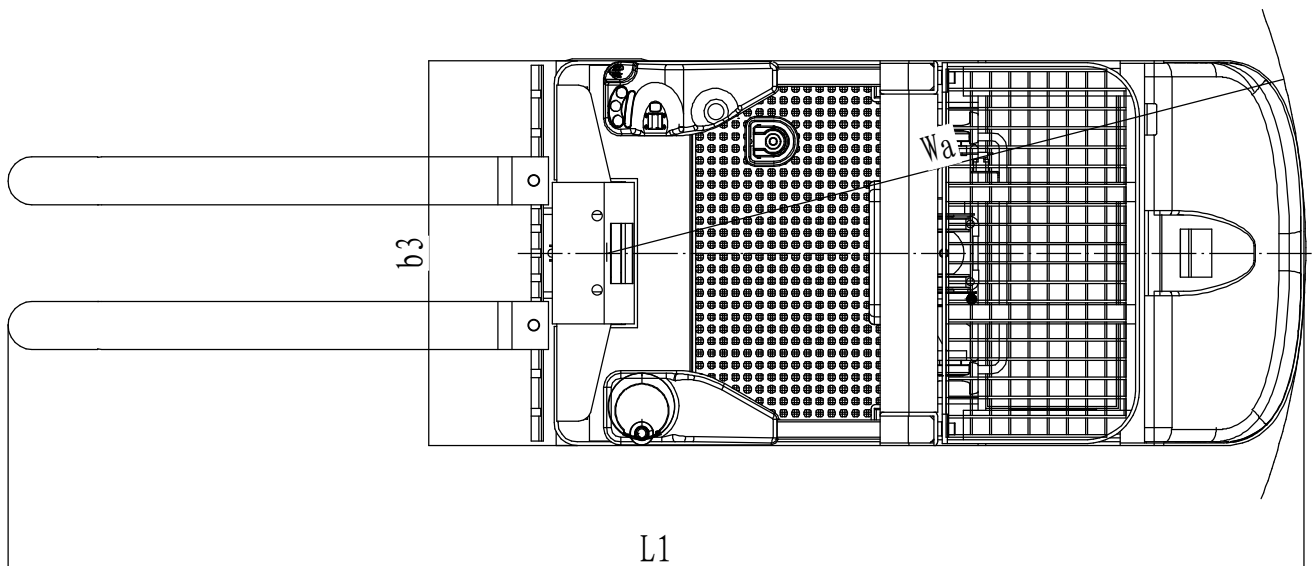
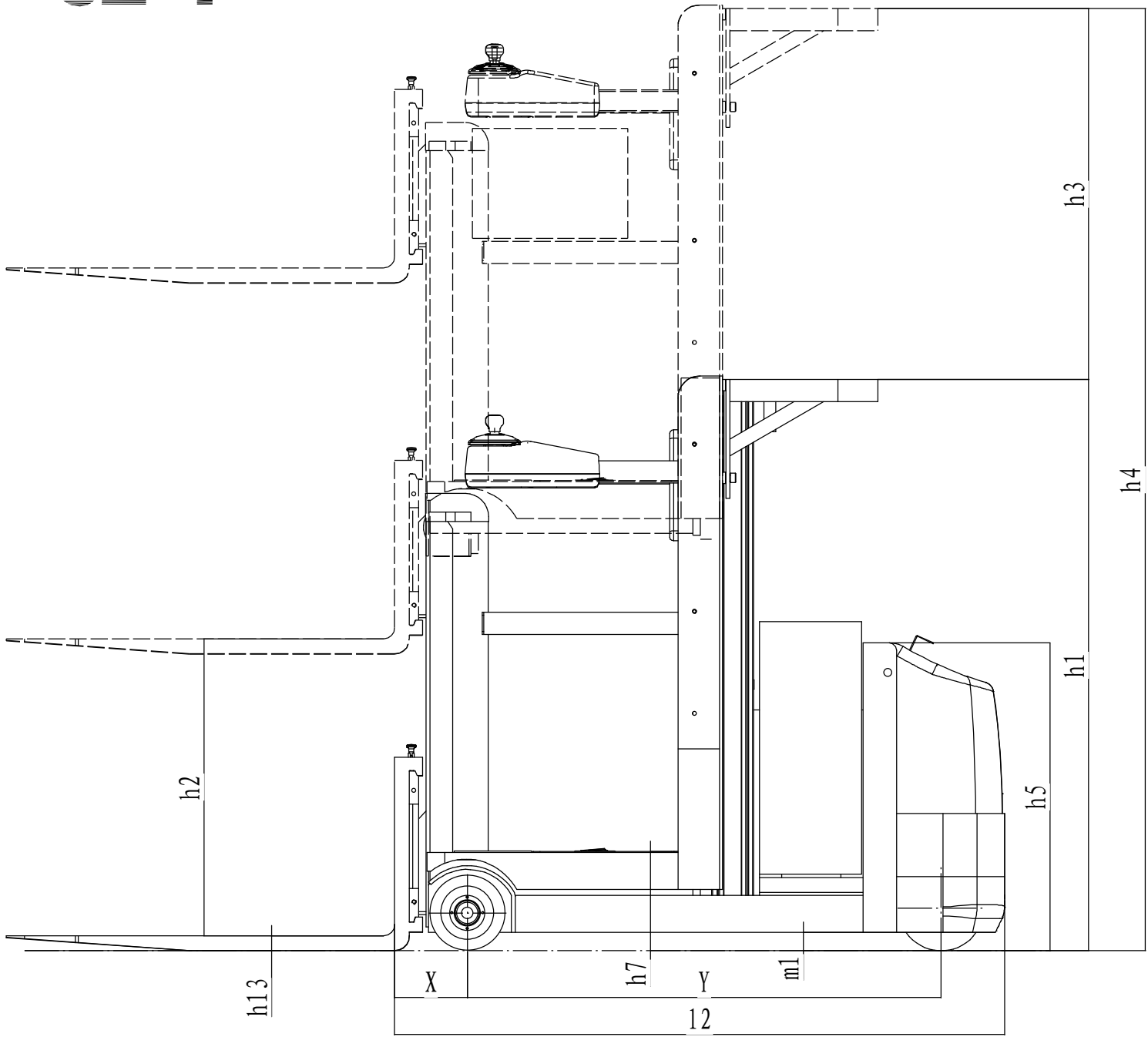
E-commerce, Retail, Auto Parts, Electronic Manufacturing

EP EQUIPMENT CO.,LTD
www.ep-ep.com

Order Picker 0.8t

| Distinguishing mark | | | | | |
|---------------------|---|---------------------------------|--------|---------------------|---------------------|
| 1.1 | Manufacturer | | | EP | EP |
| 1.2 | Model designation | | | J2-1 | J2-3 |
| 1.3 | Drive unit | | | Electric | Electric |
| 1.4 | Operator type | | | Standing | Standing |
| 1.5 | rated capacity | Q | t | 800 | 800 |
| 1.6 | Load center distance | c | mm | 600 | 600 |
| 1.8 | Load distance, centre of drive axle to fork | x | mm | 140 | 140 |
| 1.9 | Wheelbase | y | mm | 1280 | 1330 |
| Weight | | | | | |
| 2.1 | Service weight (include battery) | | kg | 1620 | 1620 |
| 2.2 | Axle loading, laden driving side/loading side | | kg | 530/1730 | 530/1730 |
| 2.3 | Axle loading, unladen driving side/loading side | | kg | 920/700 | 920/700 |
| Types, Chassis | | | | | |
| 3.1 | Tyre type, Driving wheels/Loading wheels | | | polyurethane/rubber | polyurethane/rubber |
| 3.2 | Tyre size, driving wheels (Diameter×Width) | | mm | Φ230×75 | Φ230×75 |
| 3.3 | Tyre size, loading wheels (Diameter×Width) | | mm | Φ150×90 | Φ150×90 |
| 3.4 | Tyre size, caster wheels (diameter×width) | | mm | Φ85×48 | Φ85×48 |
| 3.5 | Wheels, number driving, caster/loading (x=drive wheels) | | mm | 1, 2/2 | 1, 2/2 |
| 3.6 | Track width, front, driving side | b ₁₀ | mm | 570 | 570 |
| 3.7 | Track width, rear, loading side | b ₁₁ | | 710 | 710 |
| Dimensions | | | | | |
| 4.2 | Height, mast lowered | h ₁ | mm | 1556 | 2200 |
| 4.4 | Lift height | h ₃ | mm | 1000 | 2400 |
| 4.5 | Height, mast extended | h ₄ | mm | 1510 | 2980 |
| 4.7 | Height of overhead guard (cabin) | h ₆ | mm | / | 4600 |
| 4.8 | Seat height/standing height | h ₇ | mm | 220 | 220 |
| 4.14 | Stand height, elevated | h ₁₂ | mm | 1220 | 2620 |
| 4.15 | Lowered height | h ₁₃ | mm | 50 | 50 |
| 4.19 | Overall length | l ₁ | mm | 2520 | 2750 |
| 4.20 | Length to face of forks | l ₂ | mm | 1605 | 1700 |
| 4.21 | Overall width | b ₁ / b ₂ | mm | 800 | 800 |
| 4.22 | Fork dimensions | s/ e/ l | mm | 915*100*35 | 1070*100*35 |
| 4.25 | Distance between fork-arms | b ₅ | mm | 560 | 560 |
| 4.26 | Fork lift height | h ₂ | mm | 800 | 800 |
| 4.32 | Ground clearance, center of wheelbase | m ₂ | mm | 50 | 50 |
| 4.34.1 | Aisle width for pallets 1000 × 1200 crossways | Ast | mm | 2750 | 3050 |
| 4.34.2 | Aisle width for pallets 800 × 1200 lengthways | Ast | mm | 2870 | 3160 |
| 4.35 | Turning radius | Wa | mm | 2550 | 1515 |
| Performance data | | | | | |
| 5.1 | Travel speed, laden/ unladen | | km/ h | 8 | 8 |
| 5.2 | Lifting speed, laden/ unladen | | m/ s | 0.13/0.16 | 0.13/0.16 |
| 5.3 | Lowering speed, laden/ unladen) | | m/ s | 0.16/0.18 | 0.16/0.18 |
| 5.8 | Max. gradeability, laden/unladen | | % | 0 | 0 |
| 5.10 | Service brake type | | | Electromagnetic | Electromagnetic |
| Electric-engine | | | | | |
| 6.1 | Drive motor rating S2 60 min | | kW | 2.5 | 2.5 |
| 6.2 | Lift motor rating at S3 15% | | kW | 3 | 3 |
| 6.3 | The maximum allowed size battery | | mm | 740*275*700 | 740*275*700 |
| 6.4 | Battery voltage/nominal capacity K5 | | V/ Ah | 24V/360AH | 24V/360AH |
| 6.5 | Battery weight | | kg | 330 | 330 |
| Addition data | | | | | |
| 8.1 | Type of drive unit | | | AC | AC |
| 10.5 | Steering type | | | EPS | EPS |
| 10.7 | Sound pressure level at the driver's ear | | dB (A) | 74 | 74 |

J2-1



J2-3

