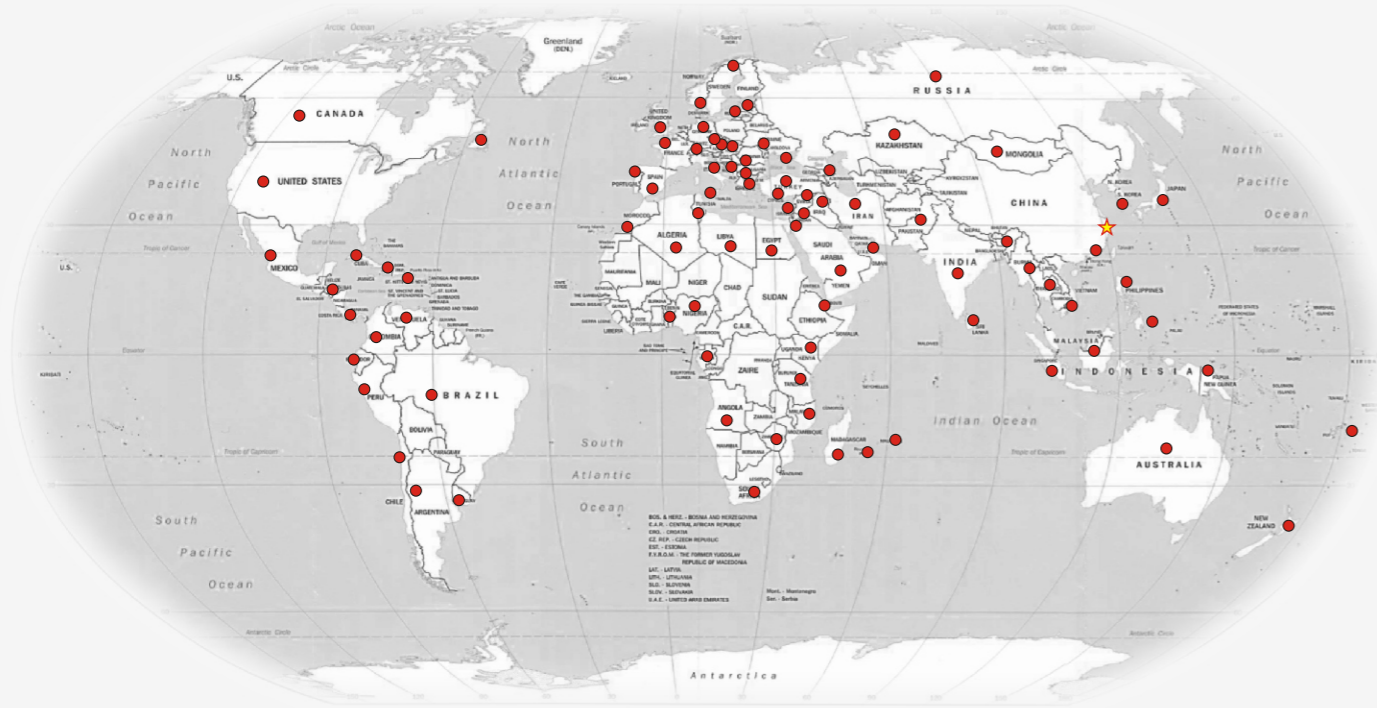


GLOBAL SALES NETWORK



R Series
8.0/10.0T Diesel



CE CERTIFICATE



ISO14001: 2004



ISO9001: 2008

HANGCHA GROUP CO., LTD.
(Zhejiang Hangcha Imp.&Exp.Co.,ltd.)

www.hcforlift.com

Add:398 Shi Qiao Road, Hangzhou Zhejiang province, China(310022)
Factory site:No.88, Donghuan Rd., Economic Development Zone Lin'an, Zhejiang, China(311305)
Tel: +86-571-88926755
Fax: +86-571-88926789 88132890
E-mail: sales@hcforlift.com

HANGCHA GROUP CO., LTD. Reserves the right to make any changes without notice concerning colors, equipment, or specifications detailed in this brochure, or to discontinue individual models. The colors of trucks, delivered may differ slightly from those in brochures.

2012 VERSION 1/ COPYRIGHT 2011/09

HANGCHA GROUP CO., LTD.

R series 8.0 - 10.0t forklift specification

		HANGCHA GROUP					HANGCHA GROUP										
		CPCD80					CPCD100										
		RG16	RG17	RG25	RW14	RW28	RG16	RG17	RG25	RW14	RW28						
General	1	Manufacture															
	2	Basic model															
	3	Type															
	4	Power type															
	5	Rated capacity		kg		8000		10000									
	6	Load center		mm		600		600									
	7	Lift height		mm		3000		3000									
	8	Free lift height		mm		200		200									
	9	Fork size		L×W×T		mm		1500×160×75		1500×160×80							
	10	Fork spread(outside)		Min. / Max.		mm		440 / 1950		440 / 1950							
Dimensions	11	Mast tilt range		F / R		deg		6 / 12		6 / 12							
	12	Fork overhang(Wheel center to fork face)		mm		705		730									
	13	Overall dimensions		Length to face of fork		mm		3896		4235							
	14			Overall width		mm		2165		2165							
	15			Mast lowered height		mm		2850		2850							
	16			Mast extended height		mm		4510		4510							
	17	Overhead guard height		mm		2540		2540									
	18	Turning radius(outside)		mm		3690		4050									
	19	Min.right angle aisle width		mm		3300		3600									
	20	Min.right angle stacking aisle width (Add load length and clearance)		mm		6095		6480									
Performance	21	Speed		Travel		Km/h		0~26		0~26							
	22			Lifting(Full load)		mm/sec		320		380		326					
	23	Max.gradeability(Full load)		%		20		20									
	24	Self weight		kg		11300		13000									
	25	Tyres		Front		mm		9.00 - 20 - 14PR		9.00 - 20 - 14PR							
	26			Rear		mm		9.00 - 20 - 14PR		9.00 - 20 - 14PR							
	27	Tread		Front / Rear		mm		1600 / 1700		1600 / 1700							
	28	Wheelbase		mm		2500		2800									
	29	Ground clearance		mm		250		250									
	30	Battery		Voltage / Capacity(5HR)		V/AH		2×12 / 90		2×12 / 90							
Power & transmission	31	Engine		Model		CY6102BG		YC6B125		LR6M3		6BG1QP		QSB4.5			
	32			Manufacture		CHINA		CHINA		CHINA		ISUZU		CUMMINS			
	33			Rated output / r.p.m.		kw		81 / 2500		92 / 2200		92 / 2200		84.6 / 2200		82 / 2200	
	34			Rated torque / r.p.m.		N·m		353 / 1700		463/1400~1700		450/1400~1600		411/1400~1600		488 / 1500	
	35			No.of cylinder		6		6		6		6		4			
	36			Bore×Stroke		mm		102×118		108×125		110×125		105×125		107×124	
	37			Emission STD.										Stage IIIA / Tier 3		Stage IIIA / Tier 3	
	38			Displacement		cc		5785		6871		7120		6494		4460	
	39			Fuel tank capacity		L		120		120		120		120		120	
	40			Transmissions		Manufacture		CHINA		CHINA		CHINA		CHINA		CHINA	
	41					Type		Powershift		Powershift		Powershift		Powershift		Powershift	
	42					Stage		FWD/RVS		2 / 2		2 / 2		2 / 2		2 / 2	
	43			Operating pressure		For attachments		MPa		19.5		19.5		19.5		19.5	

- Special lifting height available.
- Attachment available.
- The specifications in the table are for standard models only. For further information please contact us.
- Specifications are subject to change without notice.

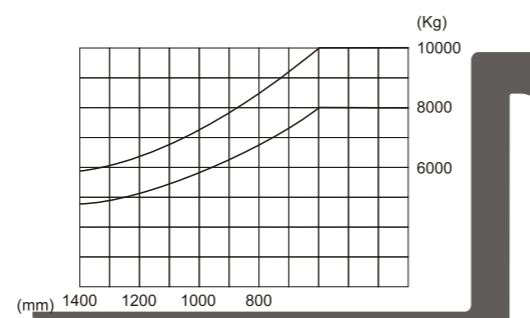
R series 8.0 - 10.0t forklift mast specification:

Type	Model	Mast fork height		Overall height		Free lift		Tilt range		Capacity	
		Lowered	Extended Without backrest	Without backrest	With backrest	FWD	RWD	Load capacity at 600 mm	Double tire		
		mm	mm	mm	mm	Deg	Deg			kg	
Wide view mast	8M	2500	2450	3710	200	6	12			8000	
		2700	2550	3910	200	6	12			8000	
		3000	2700	4210	200	6	12			8000	
		3300	2850	4510	200	6	12			8000	
		3600	3000	4810	200	6	12			8000	
		4000	3200	5210	200	6	12			8000	
		4300	3400	5510	200	6	6			8000	
		4500	3500	5710	200	6	6			8000	
		4800	3650	6010	200	6	6			7600	
		5000	3750	6210	200	6	6			7600	
Wide view mast	10M	5500	4050	6740	200	3	6			7300	
		6000	4300	7240	200	3	6			6900	
		2500	2600	4055	200	6	12			10000	
		2700	2700	4255	200	6	12			10000	
		3000	2850	4555	200	6	12			10000	
		3300	3000	4855	200	6	12			10000	
		3600	3150	5155	200	6	12			10000	
		4000	3350	5555	200	6	12			10000	
		4300	3550	5855	200	6	6			10000	
		4500	3650	6055	200	6	6			10000	
4800	3800	6355	200	6	6			9500			
5000	3900	6555	200	6	6			9500			
5500	4200	7055	200	3	6			8500			
6000	4450	7555	200	3	6			7500			

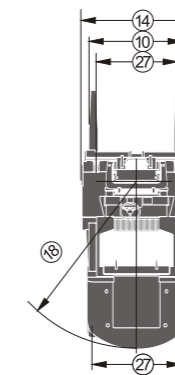
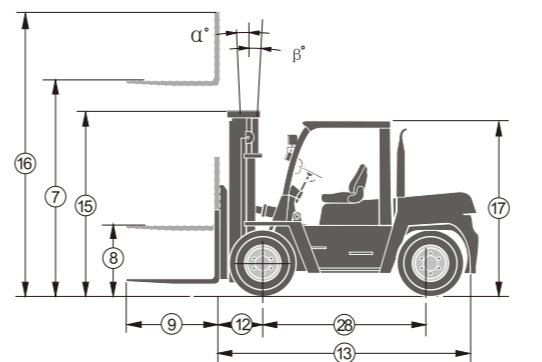
Note: with integral sideshifter minus 400Kg.



LOAD CHART



DIMENSIONS



Frame

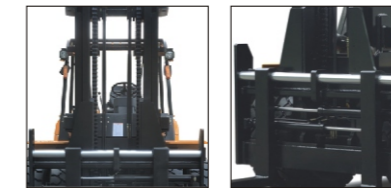
Vertical sides help the driver work safely with less damage, even in an area with low-level obstructions.

Thick chassis plates resist distortion, reduce damage and minimise refurbishment costs.

The wide mast, low scuttle and high seating position gives the operator an excellent view of the forks and of the way ahead-reducing load damage and accidents.

Well positioned lights ensure optimum vision to both the front and back-essential in containers.

Much attention has been given to the carriage design, with an integral fork positioner.



Easier maintenance and servicing

Along with the kind of engineering that promises unsurpassed performance and productivity in all applications, our forklifts are designed with many features that facilitate maintenance and servicing. For example, the wide-opening top panel and radiator cover are equipped with gas stays and convenient hand grips that enable quick access to the engine compartment.

Non-slip floor and step

The wide-open step is not only convenient to access but safer thanks to anti-slip mats. To further improve safety in demanding work conditions, the floor board is constructed of embossed steel to reduce the possibility of slipping.



Options

- 2.5-6.0m duplex mast
- Special carriage and backrest
- Solid tyre
- Cabin
- Heater and air conditioner
- Other dimension forks
- Sideshifter
- Other attachment
- Fire extinguisher
- Suspension seat
- Dual air cleaner or special air cleaner
- Rear working light
- Customer painting

